



# **Serial End Cap**

## **Installation And Operating Instructions**

***SECOND EDITION***



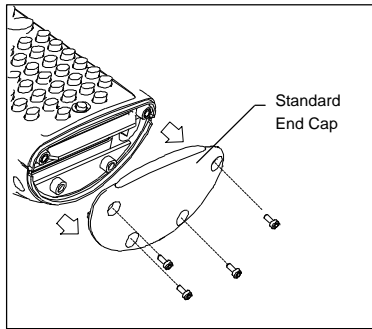
**Compsee, Inc.**  
A Subsidiary of McRae  
Industries, Inc.

## **Safety**

- ❑ Make sure the Apex Portable Data Collection Terminal (PDT) is powered down before proceeding with the Serial End Cap installation procedure. Installation of the Serial End Cap without powering down the unit could cause harm to the electronic circuitry.
- ❑ Make sure that ALL screws are replaced at the end of the installation procedure. The operational integrity of the unit can be compromised if screws are left removed.
- ❑ DO NOT use undue force when installing the interior RS-232 connector. The connector pins could sustain damage if excessive force is applied with the connector misaligned.

## **Installation Procedure**

1. Begin the installation process by powering down the Apex PDT. *To completely shutdown the unit:* press and hold the FN key, then press the red Power key (<FN> + <Power>).
2. Remove the four (4) screws securing the Standard End Cap to the Apex PDT using a Phillips screwdriver (refer to Figure 1).

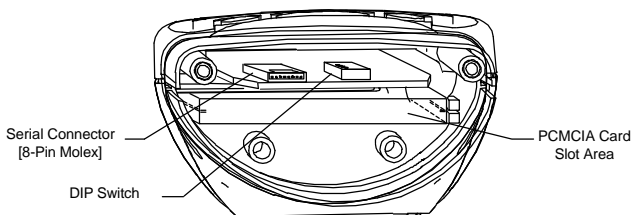


**Figure 1: Apex Standard End Cap Removal**

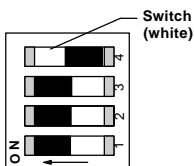
3. Remove the Standard End Cap from the Apex PDT (refer to Figure 1).
4. Connect the male 8-pin Molex connector from the Serial End Cap cable to the female Molex connector on the Apex PDT main board (refer to Figure 2).

**Note:** If +5 VDC is required to power your serial device, refer to Figure 3 and the accompanying table.

## Apex Serial End Cap Installation And Operating Instructions

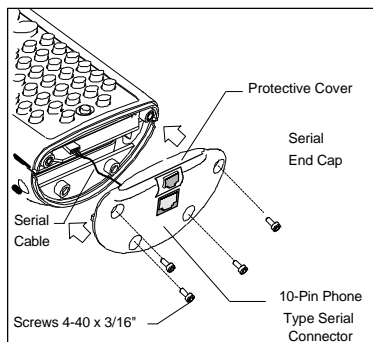


**Figure 2: Apex PDT Interior Orientation**



**Figure 3: DIP Switch Configuration**  
(Switch 4 shown in ON position to provide +5 VDC to an external serial device)

- | <u>Switch</u> | <u>Description</u>   |
|---------------|--|
| 1             | Not allocated to any function at this time.  |
| 2             | OFF for Normal operation, ON to program Boot Block device. ONLY use as directed by Compsee, Inc. Technical Support. Under development. |
| 3             | OFF for Normal operation. ON to boot from PC Card slot. ONLY for use during BIOS upgrade using a PC Card.                              |
| 4             | OFF for Normal operation, ON to place +5 V on Serial End Cap phone type connector pin 1.   |
- Gently place the Serial End Cap into it's mounting position being careful NOT to pinch the cable.
  - Secure the Serial End Cap to the Apex PDT using the four (4) Phillips screws removed previously (refer to Figure 4).



**Figure 4: Serial End Cap Installation**

- Securely tighten the hold-down screws to complete the Serial End Cap installation.

## **Apex Serial End Cap Installation And Operating Instructions**

---

### **Apex PDT Communications Using The Serial End Cap**

After the installation of your Serial End Cap is complete, serial communications can be conducted between the Apex PDT and an IBM based PC or another serial device.

1. To communicate with your Apex PDT, connect the Compsee Serial Communications cable (PN 0227001) to the 10-pin phone connector on the end cap. Note that the protective flap on the Serial End Cap must be lifted to plug in the connector.



**Figure 5: Serial Cable  
10-Pin Phone Connector**

2. Connect the other end of the Compsee Serial Communications (RS-232) cable to the Serial connector on your PC or other serial device (refer to your device specific User's Manual for details).
3. Conduct serial communications with your serial device in accordance with the guidelines outlined in the Apex PDT User's Manual and Apex PDT Technical Reference Manual (refer to Compsee, Inc. Product Support CD).

### **Associated Part Numbers**

<b>Associated Apex Part Numbers</b>		
<b>No.</b>	<b>Description</b>	<b>Part Number</b>
1	Cable, Serial End Cap to DB-9, 6 ft. (see Note)	0227001
2	Serial End Cap Kit (RS-232)	C0AA3SEC01
3	Compsee Product Support CD	02MC139

**Note:** Additional cables including those for custom applications are available from Compsee, Inc.

---



**COAM30007**

COMPSEE<sup>®</sup>, INC. 2000, All Rights Reserved.  
Mt. Gilead, NC 27306 Printed in USA  
1 (800) 628-3888