



Dock Quick Start Guide

Safety

- ❑ DO NOT operate the Apex III Dock in any location which could result in the unit getting splashed, wet, or immersed in liquid.
- ❑ DO NOT tamper or operate the Apex III Dock if the case is perforated, broken, or loosely held together.
- ❑ DO NOT operate the Apex III Dock in any outside location where it could become exposed to the elements. *The Apex III Dock has been designed for indoor use only.*
- ❑ DO NOT attempt to charge any other type battery pack or batteries other than Apex III Battery Packs with your Apex III Dock or Apex III External Charger.
- ❑ ONLY use Compsee, Inc. approved cables and Power Supplies with your Apex III products.
- ❑ DO NOT touch more than one Battery Pack terminal at a time with any electrically conductive material. A short across the Battery Pack terminals could result in the sudden release of a large portion of the Battery Pack's energy causing leakage.

Unpacking And Initial Setup

1. Remove the Apex III Dock from the packing carton and inspect the unit to ensure it is good physical condition after shipping.

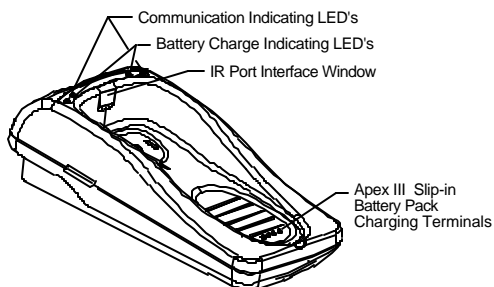


Figure 1: Apex III Dock (Front View)

2. If you have ordered a Dock Kit (Kit 1 or Kit 2 – refer to the Support Section of the Apex III Dock User's manual for part numbers and description), remove the associated Power Supply, Communications Cable, and AC Line cable (if applicable) from the packing container (refer to Figure 2, Figure 3, and Figure 4).



Figure 2: Apex III Dock Power Supply



**Figure 3: AC Line Cord
(120 VAC Cord Shown)**



**Figure 4: Compsee Communications Cable
(10 Pin Phone Plug To DB-9)**

- Record the unit specific information (Dock and Power Supply Model and Serial numbers) in the Apex III Dock User's Manual or a location you will remember before permanently installing your Apex III Dock.
- Plug the female end of your AC Line cord into the Power supply connector (refer to Figure 5).

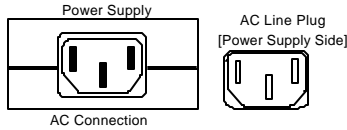


Figure 5: Power Supply AC Power Connection

- Plug the round male Power Supply DC voltage connector (cable permanently attached to Power Supply) into the DC voltage connector on the back of the Apex III Dock (refer to Figure 6).

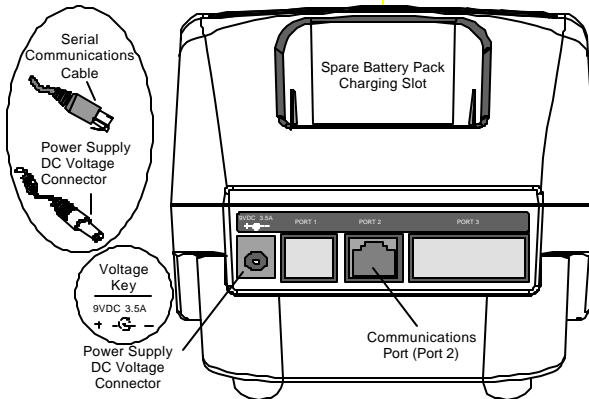


Figure 6: Apex III Dock (Rear View)

- To use your Apex III Dock for communications with the Apex III PDT, connect the 10 pin Phone Plug of a Compsee serial communications cable to Port 2 on the back of the Dock (refer to Figure 6).
- Connect the other end of the communications cable to a Serial Port on your PC or other serial device (refer to your device specific User's Manual).
- Plug the AC Line cord into an AC power receptacle.
- To use the spare charging slot, insert an Apex III Battery Pack into the charging slot on the top rear of the Apex III Dock (refer to Figure 7 and below Note).

Note: The Battery Pack must be placed in the charging slot with Release Clip facing upwards and the four side charging terminals (and ridges) facing towards the front of the Dock (refer to [Figure 7](#)).

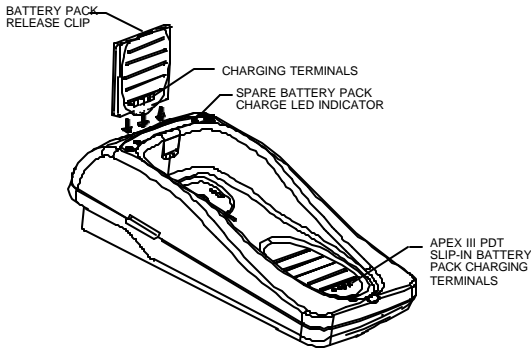


Figure 7: Battery Pack Orientation

10. Keep the installed Apex III PDT Battery Pack fully charged by placing the Apex III PDT into the Dock and allow the unit to move to the foremost (slip-in) position (see Dock Operation). The Apex III charging terminals (on rear of the unit) will automatically align with the slip-in charging terminals on the Dock (see Figure 7).

Dock Operation

Note: The Apex III Dock is equipped with a quick charge circuit allowing an Apex III Battery Pack to be fully charged from a full discharge condition within 2 hours.

Spare Battery Pack Charging

1. To charge an exhausted Apex III Battery Pack, place the Battery Pack into the Dock charging slot as described in the Dock Unpacking And Initial Setup section.
2. Once an Apex III Battery Pack has been inserted into the Dock charging slot, the charging process will commence immediately and be controlled automatically by the unit. No additional action is required by the user.
3. Upon initial insertion of a Battery Pack into the Dock, the *SPARE Batt LED* indicator light on the top rear of the Dock will flash Red. After a short period of time (no longer than 15 minutes) the *SPARE Batt LED* will solidly illuminate Red to indicate that the Battery Pack is being charged in the *fast mode*.
4. When the Apex III Dock senses that the Battery Pack charge state has reached approximately 92% charge, the *SPARE Batt LED* will change to solid Green informing the user that the unit is charging the Battery Pack in the *trickle mode*. The trickle charging mode will continue until the Battery Pack is removed from the charging slot.

Notes:

- Apex III Battery Packs use Nickel Metal Hydride (NiMH) composition, they DO NOT succumb to memory (hysteresis) loss as do Nickel Cadmium (Ni-Cd) batteries. *Apex III Battery Packs can therefore be charged while in any state-of-charge and do not require full discharge prior to charging; however, it is still recommended that the Battery Pack be fully discharged periodically to reset the internal gas gauge circuitry.*
 - For additional information on the Apex III Battery Pack refer to the Apex III PDT User's Manual.
5. If the installed Apex III PDT Battery Pack requires replacing, remove the installed Battery Pack and replace it with a fully charged Battery Pack or see the following section (refer to the Apex III PDT User's Manual for details on when to replace the Battery Pack).

Installed Apex III PDT Battery Pack Charging

1. The slip-in charging feature of the Apex III Dock charges the installed Apex III PDT Battery Pack when the unit is in the “*At Rest*” position, minimizing the times that the user must change the Battery Pack.
2. When the Apex III PDT is first placed in the Dock, the *PDT Batt LED* will flash Red. After a short period of time (no longer than 15 minutes) the *PDT Batt LED* will solidly illuminate Red indicating the Battery Pack is being charged in the *fast mode*.
3. When the Apex III Dock senses the installed Apex III Battery Pack charge state has reached approximately 92% charge, the *PDT Batt LED* changes to solid Green informing the user that the Battery Pack is being charged in the trickle mode. Trickle charging continues until the Battery Pack is removed from the charging slot.

Apex III PDT/Dock Communications

Notes:

- The Apex III Dock contains an Infrared (IR) transceiver, which converts a RS-232 signal (Rx) to Infrared light pulses or Infrared light pulses to a RS-232 signal (Tx). Pulses sent through the Dock IR Window are received by the Apex III PDT via the built-in IR port. No cable connection is required between the Apex III and the Dock.
 - The Comsee Product Support CD includes a copy of a DOS based File Transfer Utility program [*dx.exe*] and the Windows Transfer Utility (WXU) application. The WXU application is a Windows® based File Transfer Utility that assists users or developers in transferring files to or from the Apex III PDT. Refer to the Online Help Files included with both applications for usage information. In addition, you should become familiar with the communications parameters discussed within the Apex III PDT Technical Reference Manual.
1. Place the Apex III PDT in the Dock in the “*At Rest*” position.
 2. Prepare the Apex III PDT and serial device for communications (refer to TRM).
 3. Conduct the communications process. Once proper communications have begun, the appropriate communications LED on the Dock (Tx or Rx) will flash.

Notes:

- The *Tx LED* on the Dock flashes Green when the Apex III PDT is *transmitting* to a serial device through the Dock. The *Rx LED* on the Dock flashes Red when the Apex III PDT is *receiving a transmission* from a serial device through the Dock.
 - The LED flash rate is directly proportional to the rate of the communications process. The appropriate LED will flash slower when communicating at 9600 baud than at 115,200 baud.
 - Supported baud rates for IR communication are 300, 600, 1200, 2400, 4800, 9600, 19200, 38400, 57600, and 115200.
 - When proper communications are in progress, the Dock LED’s will flash in conjunction with the dual purpose DECODE and SCAN LED’s on the Apex III PDT.
4. When the communications process has been completed (or stopped due to an error) the appropriate LED (Tx or Rx) will stop blinking.



COAM30005

COMPSEE®, INC. 2000, All Rights Reserved. Mt. Gilead, NC 27306 Printed in USA 1 (800) 628-3888
--