

Apex<sup>III</sup>  

**EXTERNAL  
CHARGER**



**USER'S MANUAL**  
***FIRST EDITION***



**Compsee, Inc.**  
A Subsidiary of McRae  
Industries, Inc.

This Page Intentionally Left Blank



**EXTERNAL CHARGER  
USER'S MANUAL**

***FIRST EDITION***

---

**Compsee, Inc.**  
A Subsidiary of McRae  
Industries, Inc.



*Copyright Acknowledgments:*

All terms and names mentioned within this publication that are known to be registered trademarks and/or service marks have been appropriately designated. Due to today's changing corporate environment, Compsee, Inc. cannot attest to the accuracy of all of this information. Use of a specific term in this publication should not be regarded as affecting the validity of any trademark or service mark known to exist.

Compsee<sup>®</sup> and Apex III<sup>™</sup> are registered trademarks of McRae Industries, Inc.

---

©COMPSEE, INC. 2000, All Rights Reserved

All parts of this manual, including illustrations and specifications are the property of Compsee, Inc. The information contained herein may not be reproduced in whole or in part for any reason without express written authorization from Compsee, Inc.

The material contained in this manual is for informational purposes only and subject to change without notice.

COMPSEE, INC. and Apex III<sup>™</sup> are authorized trademarks of Compsee, Inc., Mt. Gilead, NC 27306.

**Manual Number COAM30004, Rev 1.03**

## Apex III Product Registration Card

Please complete this form and mail or FAX to :

Compsee, Inc.  
 2500 Port Malabar Blvd. NE  
 Palm Bay, FL 32905-6065  
 321-723-2895 (FAX)

Model #		Serial #	
Company Name		User's Name	
Address		City	
State		Country	
ZIP		Phone	
FAX		E-mail Address	
Purchased from		Date Purchased	
Please check the box that best describes your company.		<input type="checkbox"/> Individual <input type="checkbox"/> Privately-Owned Company <input type="checkbox"/> Corporation	
What is the size of your company?		<input type="checkbox"/> Under \$1 Million in Sales <input type="checkbox"/> Greater than \$1 Million, less than \$10 Million in sales <input type="checkbox"/> Greater than \$10 Million in sales	
What is your application for the Apex III?		<input type="checkbox"/> Warehousing <input type="checkbox"/> Medical <input type="checkbox"/> Government <input type="checkbox"/> Retail <input type="checkbox"/> Service <input type="checkbox"/> Other (describe)	

You must register this product to receive product support.

Reverse Side

Place  
Stamp  
Here



2500 Port Malabar Blvd. NE  
 Palm Bay, FL 32905-6065 U.S.A.

Front Side

This Page Intentionally Left Blank

## **APEX III EXTERNAL CHARGER WARRANTY INFORMATION**

### **Note to Purchaser**

This warranty and license contains important information on the servicing and use of your new Apex III External Charger and Power Supply.

### **Limited Warranty**

Compsee, Inc. warrants that for one year from date of purchase, the Apex III External Charger shall be free from significant defects in material and workmanship and that it will operate satisfactorily under normal conditions of use and service, as more fully described within this manual or other product specifications published by Compsee, Inc. In addition, Compsee, Inc. warrants for a period of one year from the date of purchase, that the External Charger Power Supply (included in Kits only) shall be free from significant defects in material and workmanship.

Compsee's responsibility under this warranty is limited to repair or replacement of any part of the External Charger or Power Supply which proves to be defective in normal use and/or service during the prescribed warranty period. Refer to the Service and Repair section of this manual for the equipment return procedure.

### **Warranty Disclaimers**

These warranties apply only to Apex III External Charger and Power Supply purchased directly from Compsee, Inc. or from an authorized Value Added Reseller (VAR) of Compsee products. The warranties are void if apparent defects were caused by accident, neglect, misuse, alteration, or unauthorized attempts at adjustment or repair. Warranty service, as described herein, is the exclusive remedy of the purchaser against Compsee, Inc. for product defects or any other claim or liability in connection with the purchase or use of prescribed Compsee products.

It should be noted that the above warranties only apply when the External Charger and Power Supply are used for charging *Apex III Battery Packs* as purchased from Compsee, Inc. or an authorized agent. Use of either of these products other than prescribed by this or other Compsee, Inc. documentation will void the product warranty.

### *Warranty Note*

These warranties are in lieu of any other warranties, express or implied, including, but NOT limited to, any implied warranty of merchantability or fitness for a particular purpose, even though Compsee, Inc. may have been advised of the intended use of the products being purchased.

## **Warranty Limitations**

Failure to follow the below operational stipulations when using or caring for your Apex III External Charger will negate the product warranty. Please review these items thoroughly before using your unit.

- ❑ Prior to operating the External Charger, review the prescribed warranty limitations. Failure to adhere to the provisions of these limitations will void the product warranty.
- ❑ Do NOT attempt to open or disassemble the Apex III External Charger. No user serviceable parts are included in the unit.
- ❑ Charge Apex III Battery Packs only with an approved Compsee charging device. Use of any charging device or Battery Pack other than those approved by Compsee, Inc. can potentially damage the Apex III Portable Data Collection Terminal (PDT), Dock, External Charger, Power Supply, and/or Battery Pack.
- ❑ Do NOT spray cleaners directly on the unit or use a saturated cloth for cleaning the unit. Only a lightly damp cloth should be used for wiping down the unit.
- ❑ Do NOT clean the Apex III External Charger or Power Supply using alcohol, acetone, mineral spirits or any other petroleum or alcohol based product. Damage to the unit can occur.
- ❑ Do NOT leave the External Charger or Power Supply in the rain or direct sunlight or immerse the unit in water or any other liquid.



## Recommended Operational Tips

**Note:** Failure to heed the following recommendations, while not voiding the warranty, may result in degradation to the units operation:

- ❑ Do NOT clean the External Charger or Battery Pack terminals with soap, abrasives, or any alcohol or petroleum based solution. Should the contacts require cleaning due to oxidation or corrosion buildup, clean gently use a standard pencil eraser. DO NOT press too hard as contact damage could occur.
- ❑ Do NOT attempt to operate the Apex III PDT once it has powered down due to a low battery condition. When the Battery Pack is exhausted, leave the exhausted Battery Pack in the Apex III until you can either charge it in place by placing the Apex III in the Apex III Dock, or swap the Battery Pack with a charged Battery Pack. Information in volatile memory (RAM) will be preserved since the Apex III PDT is configured so that even with an exhausted Battery Pack enough energy is retained to maintain the information for an extended period of time. DO NOT leave the unit WITHOUT a Battery Pack for more than 5 minutes.
- ❑ Only use the Apex III Dock or Apex III External Charger for charging Apex III Battery Packs.
- ❑ Only use Compsee, Inc. approved cables and power supplies to connect your Apex III Dock or External Charger.
- ❑ Apex III Battery Packs use Nickel Metal Hydride (NiMH) composition, they DO NOT succumb to memory (hysteresis) loss as do Nickel Cadmium (Ni-Cd) batteries. *Apex III Battery Packs can therefore be charged while in any state-of-charge and do not require full discharge prior to charging; however, it is still recommended that the Battery Pack be fully discharged periodically to reset the internal gas gauge circuitry.*



# TABLE OF CONTENTS

1	EXTERNAL CHARGER BASICS.....	1-1
	General User Information.....	1-1
	Using This Manual.....	1-1
	Apex III External Charger Characteristics.....	1-2
	Optional Accessories.....	1-3
2	SAFETY.....	2-1
	Standard Safety Guidelines.....	2-1
	Unit Specific Safety Notes.....	2-2
	Battery Pack Safety.....	2-3
	Product Conformity.....	2-5
3	EXTERNAL CHARGER OPERATION.....	3-1
	Apex III External Charger Setup.....	3-1
	Initial Setup Procedure.....	3-1
	External Charger Operation.....	3-4
	Apex III Battery Pack Charging.....	3-4
	Apex III PDT/Battery Pack Notes.....	3-5
	Battery Pack Life.....	3-5
4	SUPPORT INFORMATION.....	4-1
	Associated External Charger Part Numbers.....	4-1
	Technical Support.....	4-1
	Service And Repair.....	4-2
	Return Material Authorization (RMA).....	4-3
	Specifications.....	4-4
	User Unit Specific Information.....	4-5
	Notes.....	4-6



# 1 EXTERNAL CHARGER BASICS

## General User Information

This manual provides information necessary to properly operate and maintain the Apex III External Charger and Power Supply. Contained within this manual is a description of the unit's hardware; procedures for unpacking and verifying the unit's operating functions; operational instructions; Battery Pack charging instructions; guidelines for maintaining the External Charger; and other useful information.



Before attempting to understand and operate new equipment, it is important for the user to gather the available information on the product. Whether you are a novice without any experience in using battery charging equipment or a confident user with the added advantage of knowing electronics this manual contains what you need to become a proficient user of the Apex III External Charger.

It should be noted that while this manual provides the user with the required information to operate and maintain the Apex III External Charger, understanding the use and operation of the Apex III PDT will help the user to more fully comprehend the entire Apex III system capabilities and the integrated use of all of the Apex III line of products. It is therefore recommended that the user of the Apex III External Charger also become familiar with the Apex III PDT operation (refer to the Apex III Portable Data Collection Terminal User's Manual and/or the Apex III PDT Technical Reference Manual).

## Using This Manual

Typographic conventions followed within this manual:

- **Bold Type** is used for headings and important sections throughout the manual.
- Important points and supplementary information are included as **Notes** throughout this manual. Note headings are printed throughout the manual using a **bold underlined typeface**.
- When referring to specific components, their titles or names will be shown as much as possible in the exact format as they appear on the parts themselves.

- ❑ **CAUTION**  and **WARNING**  messages are provided within this manual, which if not observed, could result in personal injury, equipment damage, or have an adverse affect on unit operation. **CAUTION** and **WARNING** messages are located within boxes with their headings in **bold type**.
- ❑ Procedures when specified should be followed in the order they are given unless otherwise noted. Failure to do so may result in damage or adverse affect to the External Charger, Power Supply, or Battery Pack.

## Apex III External Charger Characteristics

The Apex III External Charger and associated Power Supply are solid-state electronic devices, which have been designed to be used specifically with the Apex III Battery Packs.

The full-functioned capabilities of your Apex III External Charger allow you to charge two (2) Apex III Battery Packs simultaneously.



### **WARNING**

*ONLY CHARGE APEX III BATTERY PACKS!*

DO NOT attempt to charge any other type battery pack or batteries other than Apex III Battery Packs with your External Charger. Placing other types of battery packs or batteries into the External Charger could result in personal injury and/or damage to the unit.

Your Apex III External Charger includes the following state-of-the-art features:

- ❑ Fast charging capabilities (2 hours maximum for a fully depleted Battery Pack)
- ❑ Light Emitting Diode (LED) indicating lights to inform the user of the charging progress.
- ❑ Table top or wall mounting capability for ease of use and space saving area locating.

## Optional Accessories

The following items are available as optional accessories for use with the Apex III PDT and External Charger (refer to the parts section of this manual for specific part numbers):

- ❑ Additional Battery Packs (Nickel Metal Hydride - NiMH).
- ❑ Apex III Dock – A docking station which incorporates Infrared (IR) coupling, slip-in charging capabilities, and additional charging for a spare Apex III Battery Pack. Capable of being mounted on the wall or desk.
- ❑ Rack Rails (for wall mounting of the Apex III PDT, Apex III Dock, and Apex III External Battery Charger).
- ❑ Additional Apex III External Chargers – provides for simultaneous charging of two spare Apex III Battery packs (refer to the Apex III External Charger User's Manual for additional details).
- ❑ Power Supply.
- ❑ AC Line Cord Set.
- ❑ Vehicle Lighter Adapter – Cigarette lighter adapter cable for connecting the Dock or External Charger Power supply to a 12 VDC vehicle power source.
- ❑ Hard Copy (printed) of any Apex III PDT documentation manual.





## 2 SAFETY

### **Standard Safety Guidelines**

The Apex III External Charger has been designed and manufactured to exacting standards for performance, reliability and safety. This product is electronic and electrical in nature and should therefore be used in accordance with the typical electrical safety guidelines listed below:



#### **WARNING!**

*DO NOT OPERATE IN A WET ENVIRONMENT!*

DO NOT operate the Apex III External Charger in any location which could result in the unit getting splashed, wet, or immersed in liquid. Operating the unit in these conditions could result in an Electrical Shock Hazard and damage to the unit.



#### **WARNING!**

*DO NOT TAMPER OR OPEN THE UNIT CASE!*

DO NOT tamper or operate the External Charger if the case is perforated, broken, or loosely held together. Use of the product with the case broken, perforated, or loose could result in an Electrical Shock Hazard and damage to the unit.



#### **CAUTION!**

*ONLY USE COMPSEE APPROVED METHODOLOGY!*

DO NOT use the Apex III unit for uses other than those specified by Compsee, Inc. Use of controls, adjustments, procedures, or methodology other than those specifically identified by Compsee, Inc. is strictly prohibited.

## Unit Specific Safety Notes

Certain warnings and precautions, in addition to the general safety, operational, and care instructions in this manual, are provided for safe operation of this product. These guidelines are listed below and should be followed as noted for safe and proper operation of the unit.



### **WARNING**

***DO NOT OPERATE IN AN EXTERNAL ENVIRONMENT!***

DO NOT operate the Apex III External Charger in any outside location where it could become exposed to the elements. *The Apex III External Charger has been designed for indoor use only!* Operating the unit outside, exposed to the elements could result in an Electrical Shock Hazard and damage to the unit.



### **WARNING**

***ONLY CHARGE APEX III BATTERY PACKS!***

DO NOT attempt to charge any other type battery pack or batteries other than Apex III Battery Packs with your External Charger. Placing other types of battery packs or batteries into the External Charger could result in personal injury and/or damage to the unit.



### **CAUTION**

***DO NOT CLEAN THE CHARGING TERMINALS  
WITH THE UNIT PLUGGED IN!***

DO NOT clean the External Charger charging terminals with the unit plugged in. DO NOT use any type of liquid or solvent to clean the terminals. ONLY use a standard pencil eraser to clean the terminals and DO NOT use excessive force. If an eraser will not clean the terminals, the unit should be repaired or replaced.

## Battery Pack Safety



### **WARNING**

#### ***ONLY CHARGE APEX III BATTERY PACKS!***

DO NOT attempt to charge any other type battery pack or batteries other than Apex III Battery Packs with your Apex III Dock or Apex III External Charger. Placing other types of battery packs or batteries into the Dock or External Charger could result in personal injury and/or damage to the unit.



### **WARNING!**

#### ***ONLY USE COMPSEE, INC. APPROVED CHARGERS!***

Only charge the Apex III Battery Packs in the Apex III Dock or the Apex III External Charger. DO NOT use chargers from other manufacturers. The Battery Pack warranty will be voided and Battery Pack Damage could occur.



### **CAUTION!**

#### ***PROPERLY DISPOSE OF APEX III BATTERY PACKS!***

Apex III PDT Battery Packs should be disposed of properly. DO NOT dispose of the Apex III Battery Pack in a flame or fire. An explosion may occur. Apex III Battery Packs are approved for disposal in a class 2 Landfill (normal trash); however, recycling the Battery Packs reduces the amount of raw materials consumption necessary to produce new Battery Packs and also reduces the total landfill usage within your area. We highly recommend that the Battery Packs be returned to the factory for recycling at the end of their useful life. Contact Compsee, Inc. for additional information.

**WARNING**

*ONLY OPERATE THE APEX III EXTERNAL CHARGER  
IN CONJUNCTION WITH COMPSEE APPROVED  
POWER SUPPLY AND CABLES!*

ONLY use Compsee, Inc. approved cables and Power Supplies with your Apex III products. Use of other charging or connection materials could result in inferior operation or damage to the unit. If variations in the cables or power supply are necessary for your installation, contact Compsee, Inc. and obtain approval for use of the materials in conjunction with your Apex III equipment.

**WARNING**

*DO NOT SHORT THE APEX III  
BATTERY PACK TERMINALS!*

DO NOT touch more than one Battery Pack terminal at a time with any electrically conductive material. An electrical short across the Battery Pack terminals could result in the sudden release of a large portion of the Battery Pack's energy causing the Battery Pack to overheat and leak.

## Product Conformity

No user serviceable parts are included in the manufacture of your Apex III product. *Opening of the unit by unauthorized personnel will void the product warranty.*

Only Authorized personnel should attempt to repair or replace parts within this unit. Breaking of the unit seal, tampering, or repair by unauthorized personnel will void the unit warranty and could result in personnel injury or permanent damage to the unit.



### **WARNING**

This equipment has been tested and found to comply with the limits for a Class B digital device pursuant to Part 15 of the FCC Rules. These limits are designed to provide reasonable protection against harmful interference in a residential installation. This equipment generates, uses, and can radiate radio frequency energy. If the equipment is not installed and used in accordance with instructions published in this and other Apex III manuals, interference with radio communications may result. There is no guarantee that interference will not occur in a particular installation. If this equipment does cause harmful interference to radio or television reception (determined by turning the equipment ON and OFF), the user is encouraged to try to correct the interference by one or more of the following measures:

- Reorientation or relocation of the receiving antenna.
- Increasing the separation between the equipment and affected receiver.
- Connecting the equipment to an outlet on a different electrical circuit than that of the affected receiver.
- Consulting the dealer or an experienced radio/TV technician for help.



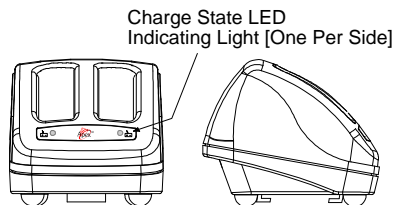
## **3 EXTERNAL CHARGER OPERATION**

### **Apex III External Charger Setup**

The Apex III External Charger is a sophisticated electronic charging device that automatically maintains your Apex III Battery Packs in a fully charged state for use with the Apex III PDT. To ensure proper operation, superior performance, and a long service life we recommend that you follow the instructions put forth in this User's Manual. The following information is a guideline to be used during initial installation of the unit.

#### ***Initial Setup Procedure***

1. Remove the Apex III External Charger from the packing carton and inspect the unit to ensure it is good physical condition after shipping.



**Figure 3-1: Apex III External Charger**

2. If you have ordered an External Charger Kit (Kit 1 or 2 – refer to the Support Section of this manual for part numbers and description), remove the associated Power Supply and AC Line cable (if applicable) from the packing container.

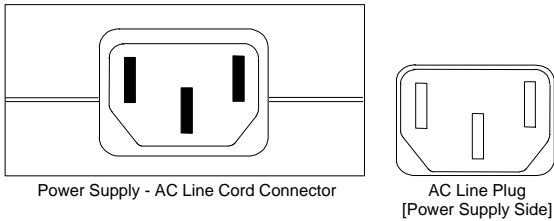


**Figure 3-2: External Charger Power Supply**



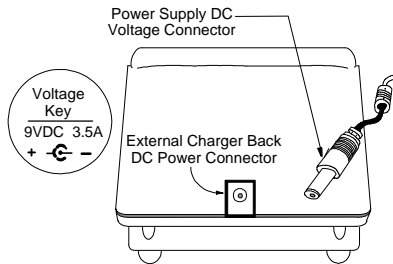
**Figure 3-3: AC Line Cord (120 VAC Cord Shown)**

3. Record the unit specific information on the page provided at the back of this manual (p. 4-5) for future reference before permanently installing your Apex III External Charger.
4. Plug the female end of your AC Line cord into the Power supply connector (refer to Figure 3-4).



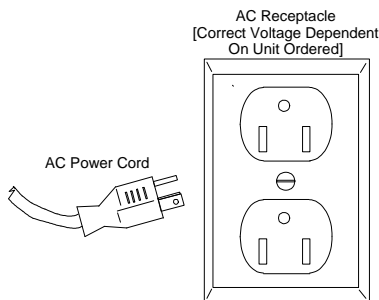
**Figure 3-4: Power Supply AC Power Connection**

5. Plug the round male Power Supply DC voltage connector (cable permanently attached to Power Supply) into the DC voltage connector on the back of the External Charger (refer to Figure 3-5).



**Figure 3-5: External Charger DC Voltage Connection**

6. Plug the AC Line cord into an AC power receptacle (refer to Figure 3-6).



**Figure 3-6: AC Power Connection**

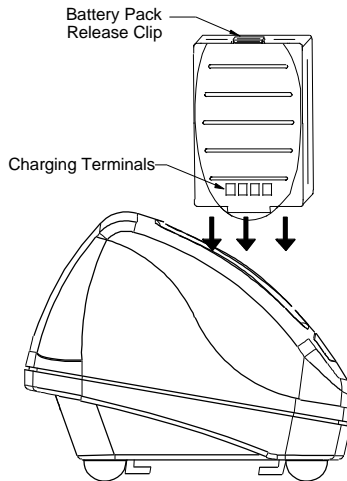


7. Insert one or two Apex III Battery Pack(s) into the charging slot on the top of the Apex III External Charger (refer to Figure 3-7 and accompanying note).

**WARNING*****ONLY CHARGE APEX III BATTERY PACKS!***

DO NOT attempt to charge any type battery pack or batteries other than Apex III Battery Packs with your External Charger. Placing other types of battery packs or batteries into the External Charger could result in personal injury and/or damage to the unit.

**Note:** Battery Pack must be placed in the charging slot with Release Clip facing upwards and the four side charging terminals (and ridges) facing outward towards the side of the unit. This orientation applies to the insertion of both Battery Packs (one Battery Pack will be turned the opposite of the other).



**Figure 3-7: Battery Pack Orientation  
(Left Side Battery Pack Insertion Shown)**

## External Charger Operation

Before operating your Apex III External Charger it is recommended that you thoroughly read the detailed operational sequence.

The Apex III External Charger is equipped with a quick charge circuit allowing an Apex III Battery Pack to be fully charged from a full discharge condition within 2 hours.

### Apex III Battery Pack Charging

- ❑ Once an Apex III Battery Pack has been inserted into the External Charger, the charging process will commence immediately and be controlled automatically by the unit. No additional action is required by the user, except for Battery Pack removal once the Battery Pack has been fully charged.
- ❑ Upon initial insertion of a Battery Pack into the unit, the *SPARE Batt LED* indicator light on the top rear of the unit will flash Red. After a short period of time (less than 15 minutes), the LED will solidly illuminate Red to indicate that the Battery Pack is being charged in the *fast mode*.
- ❑ When the External Charger senses that the Battery Pack charge state has reached approximately 92% charge, the respective LED will change to a solid Green indicating that the unit is charging the Battery Pack in the *trickle mode*. The trickle charging mode will continue until the Battery Pack is removed from the charger.

**Note:** Since the Apex III Battery Packs use state-of-the-art Nickel Metal Hydride (NiMH) composition, they DO NOT succumb to memory (hysteresis) loss as do Nickel Cadmium (Ni-Cd) batteries. *Apex III Battery Packs can therefore be charged while in any state-of-charge and do not require full discharge prior to charging; however, it is still recommended that the Battery Pack be fully discharged periodically to reset the internal gas gauge circuitry.*

- ❑ If your Apex III Portable Data Collection Terminal (PDT) is ready for another Battery Pack, remove the installed Battery Pack and replace it with a fully charged Battery Pack per the Apex III PDT/Battery Pack Notes section (p. 3-5).

## **Apex III PDT/Battery Pack Notes**

1. Do NOT attempt to operate the Apex III PDT once it has powered down due to a low battery condition. When the Battery Pack is exhausted, leave the exhausted Battery Pack in the Apex III until you can either charge it in place by placing the Apex III in the Apex III Dock, or swap the Battery Pack with a charged Battery Pack. Information in volatile memory (RAM) will be preserved since the Apex III PDT is configured so that even with an exhausted Battery Pack enough energy is retained to maintain the information for an extended period of time. DO NOT leave the unit WITHOUT a Battery Pack for more than 5 minutes.
2. It is recommended that the user place the Apex III PDT in "Suspend" and change to a fully charged Battery Pack or recharge the installed Battery Pack after receiving the "Change Battery" message. After charging the Battery Pack, pressing the "Suspend" button again will restore the unit to the last operation performed. If unit operation is continued and the "Battery Critical" alarm occurs the unit will shutdown and cannot be restarted. The installed Battery Pack must be replaced with a fully charged Battery Pack or the installed pack recharged in the Apex III Dock.

## **Battery Pack Life**

Average Battery Pack life expectancy is 400 charge cycles, where a charge cycle encompasses the period of use to full depletion then full charge. After the 400 cycle period, the Battery Pack's remaining capacity will be approximately 80%.

- ❑ Avoid interruptions in usage by always keeping a spare Battery Pack on hand
- ❑ Alternate spare Battery Pack use so that all Battery Packs receive uniform use.
- ❑ Battery Packs can lose approximately 1.1% of their charge per day sitting on the shelf. Therefore a fully charged Battery Pack not kept in the charging slot will require recharging in less than 100 days.



## **4 SUPPORT INFORMATION**

### **Associated External Charger Part Numbers**

<b>Apex III Associated Part Numbers</b>		
<b>No.</b>	<b>Description</b>	<b>Part Number</b>
1	Battery Pack, NiMH, 1500 mAh	0214501
2	External Charger (charging unit only)	COAA3CHRG
3	External Charger Kit 1 (w/power supply and US 120 VAC cord)	COAA3CHRG1
4	External Charger Kit 2 (w/power supply, no AC line cord)	COAA3CHRG2
5	Apex III Dock (docking station only)	COAA3DOCK
6	Apex III Dock Kit 1 (w/power supply and US 120 VAC cord)	COAA3DOCK1
7	Apex III Dock Kit 2 (w/power supply, no AC line cord)	COAA3DOCK2
8	Power Supply 9 VDC (no AC line cord)	0212014
9	Cord Set, US, 120 VAC	0212013
12	Vehicle Lighter Adapter (Cigarette lighter adapter cable for Dock/External Charger Power Supply)	0228510
10	Apex III External Charger User's Manual (Hard Copy)	COAM30004

**Note:** Since the manual printing date, additional Part Numbers may be available. Call for details or check the Compsee, Inc. Website.

### **Technical Support**

Technical Support on the Apex III unit is available from Compsee, Inc. through the following methods:

Website: [www.compsee.com](http://www.compsee.com)

Phone: 1 800 768-5248

e-mail: [support@compsee.com](mailto:support@compsee.com)

Before calling please follow these guidelines:

- Refer to the appropriate sections of this manual to ensure you have correctly performed the operation or function in question.
- Have the unit Model No. and Serial No. in-hand (located on the bottom of the unit).
- Have a complete description of the problem as well as any pertinent information on when it occurred.

## Service And Repair

BEFORE returning any equipment for service please read ALL of the information within this section. This will preclude shipping errors or misunderstandings. Thank you!

Compsee provides U.S. service for its bar code products via a Service Center located at its manufacturing facilities in Mt. Gilead, North Carolina, USA 27306. Service outside the U.S. is provided through the use of International Authorized Service Centers. Check the Compsee Inc. Website for the latest Authorized Service Center listing.

The Apex III External Charger carries a Limited 1 Year Warranty from the date of purchase. The specific warranty language is contained in the front of this manual.

Factory service is also available on a time and material basis. If you use this type of service agreement, you will be advised of a not-to-exceed price for repair when you request a Return Material Authorization (RMA) for the product (see additional information on next page).

## ***Return Material Authorization (RMA)***

Products may be returned for repair after obtaining a Return Material Authorization (RMA) from Compsee Customer Service. Call one of the following numbers to receive your Return Authorization

**1-321-724-4321 or 1-800-628-3888**

Before calling the Compsee Customer Service line you should have the following information in hand:

- The unit Model Number
- The unit Serial Number
- An accurate description of the problem
- Your companies name
- When and how you wish to ship the unit
- A return address
- A contact person's name and telephone number

This information is necessary for us to complete an RMA for the product.

**Note: We CANNOT accept materials that are returned without an RMA number.**

The RMA number will ensure that the problem described is corrected and the unit is repaired and returned in a timely fashion.

Normal Repair time is 10 days from receipt of the equipment.

Shipping costs to Compsee Inc. are to be paid for by the user. Compsee will pay for the return shipping in the same manner that the equipment was originally shipped to the repair facility.

## Specifications

<p><b>Physical Dimensions</b></p> <p>Depth: 4.44 in. (11.28 cm)          Width: 3.94 in. (10.00 cm)          Height: 3.69 in. (9.37 cm)          Weight</p> <ul style="list-style-type: none"> <li>➤ Charger: 0.75 lbs.</li> <li>➤ Charger With One Battery Pack: 0.99 lbs.</li> <li>➤ Charger With Two Battery Packs: 1.22 lbs.</li> </ul>
<p><b>Construction</b></p> <p>Industrial, high-strength polycarbonate/ABS-blend plastic, U/L rated @ 94 VO.</p>
<p><b>Power Supply/ Battery Pack</b></p> <ul style="list-style-type: none"> <li><input type="checkbox"/> Rechargeable 1500 mAh NiMH Battery Pack</li> <li><input type="checkbox"/> Full charge within 2 hours after full discharge</li> <li><input type="checkbox"/> Apex III External Charger/Dock Power Supply             <ul style="list-style-type: none"> <li>➤ Input: 100 – 240 VAC, 50 – 60 Hz, 70 – 100 VA, auto-ranging</li> <li>➤ Output: 9 VDC @ 4.0 A (36 watts maximum)</li> <li>➤ Dimensions: 4.62 × 2.32 × 1.25 in. (118 × 60 × 32 mm)</li> <li>➤ Weight w/120 VAC Line Cord: 1.22 lbs.</li> <li>➤ Operating Temp: 32° F – 122° F (0° C – 50° C)</li> <li>➤ UL/CE Indoor Use Only</li> </ul> </li> </ul>
<p><b>Environmental (External Charger Only)</b></p> <ul style="list-style-type: none"> <li><input type="checkbox"/> Operating Temp: 59° F to 104° F (15° C to 40° C)</li> <li><input type="checkbox"/> Storage Temp: -4° F to 158° F (-20° C to 70° C)</li> <li><input type="checkbox"/> Chemical resistant</li> </ul>
<p><b>Regulatory Approvals</b></p> <ul style="list-style-type: none"> <li><input type="checkbox"/> FCC (part 15, Class B)</li> <li><input type="checkbox"/> CE</li> </ul>



## **User Unit Specific Information**

Record your Apex III External Charger and Power Supply Model numbers, Serial Numbers, and Purchase Date in the space provided below for future reference:

**External Charger Model No.**

---

**External Charger Serial No.**

---

**External Charger Purchase Date:**

---

**Power Supply Model No.**

---

**Power Supply Serial No.**

---

**Power Supply Purchase Date:**

---

## Notes

This Page Intentionally Left Blank

**Compsee, Inc.**  
**Contact Information**  
[www.compsee.com](http://www.compsee.com)  
1 (800) 628-3888



**COAM30004**

**Compsee, Inc.**  
A Subsidiary of McRae  
Industries, Inc.